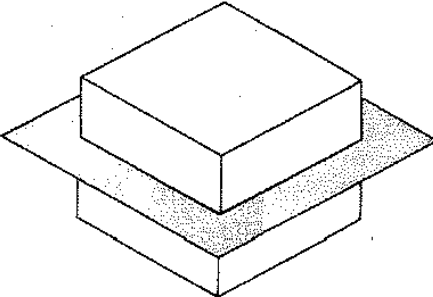
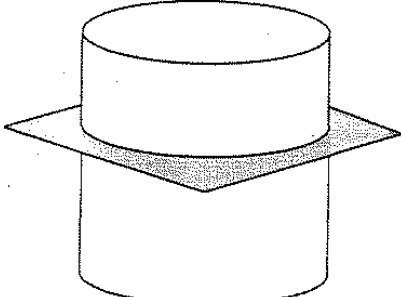
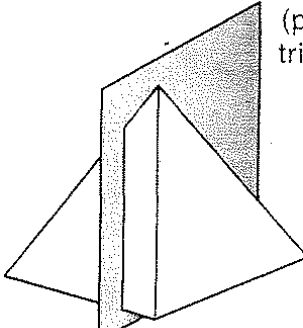
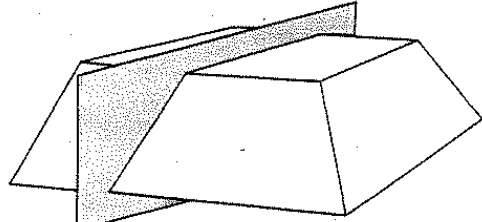


# Cross-Sections Notes

Name \_\_\_\_\_

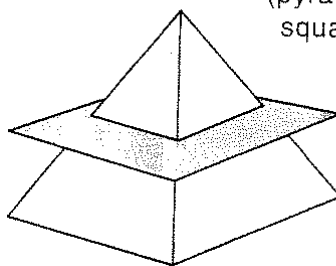
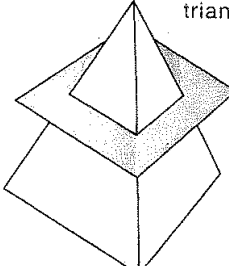
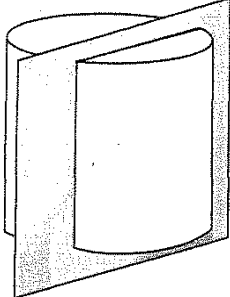
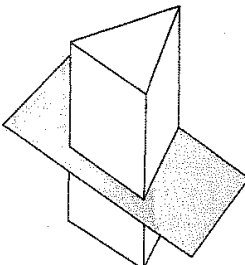
What is a **cross-section**? \_\_\_\_\_

1. 	2. 
3.  (pyramid with a triangular base)	4. 



**Pause the video and try these on your own!**  
**Then press play and check your answers with a color pen.**

Sketch and name the cross section that is created when the solid figure is cut by the plane.

1.  (pyramid with a square base)	2.  (pyramid with a triangular base)
3. 	4. 

5. What cross section is created when a cylinder is cut neither perpendicular nor parallel to the base? \_\_\_\_\_