

Perimeter and Circumference Notes

Name _____

To find the perimeter of any polygon, you _____

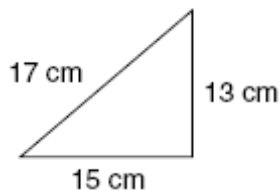
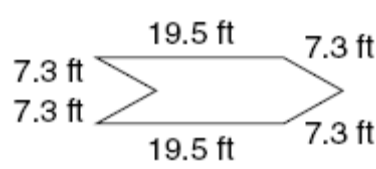
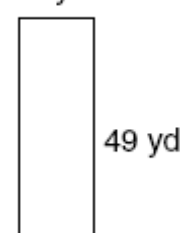
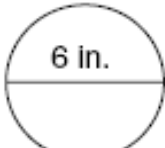

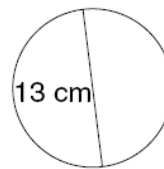
The formula for perimeter of a rectangle is _____

Circumference is _____

The formula for the circumference of a circle is _____

For π you can use _____ or _____

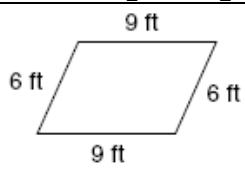
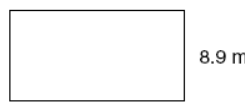
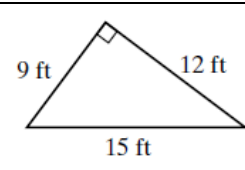
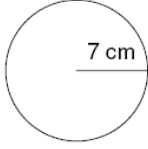
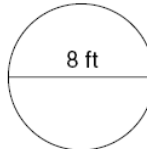
Example: Find the perimeter or circumference of the figure. Use 3.14 for π .

1. 	2. 	3. 
4. 	5. 	6. 



Pause the video and try these on your own!

Then press play and check your answers with a color pen.

1. 	2. 	3. 
4. 	5. 	6. 