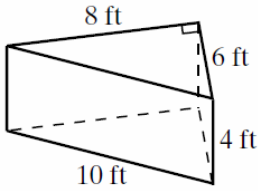
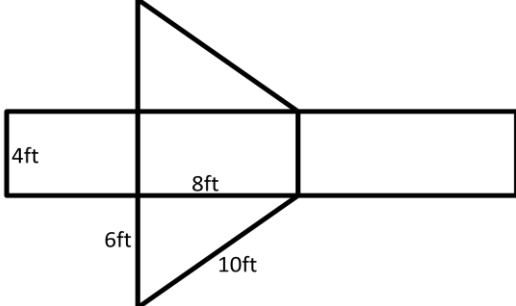


Surface Area of Triangular Prisms Notes

Name _____

Surface Area is measured in _____ units.

<p>1.</p> 	<p>What is the name of this 3-D shape?</p> <p>What is the base shape?</p> <p>How many bases are there?</p>
<p>Area of the triangles:</p>	<p>Area of one of the rectangles:</p>
<p>Area of one of the other rectangles:</p>	<p>Area of one of the other rectangles:</p>
<p>Total Surface Area of the Triangular Prism:</p>	

<p>2.</p> 	<p>What is the name of this 3-D shape?</p> <p>What is the base shape?</p> <p>How many bases are there?</p>
<p>Area of the triangles:</p>	<p>Area of the BIG rectangle:</p>
<p>Total Surface Area of the Triangular Prism:</p>	

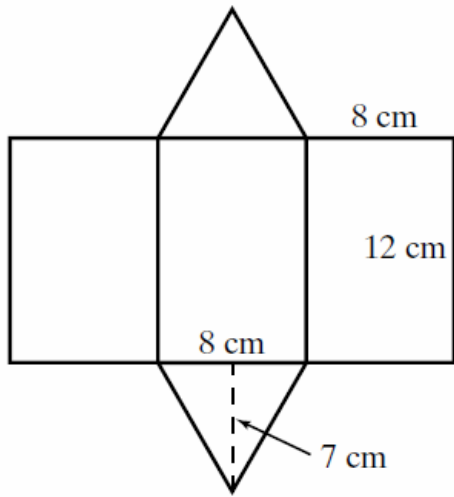
Formula for Surface Area of a Triangular Prism:

SA =

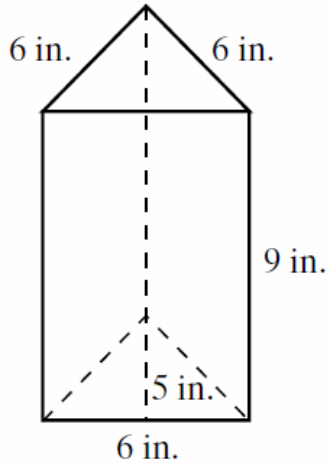


**Pause the video and try the problems on the back on your own!
Then press play and check your answers with a color pen.**

1.



2.



3.

